



RS-ON-OM SERIES OIL-GAS FIRED BOILER

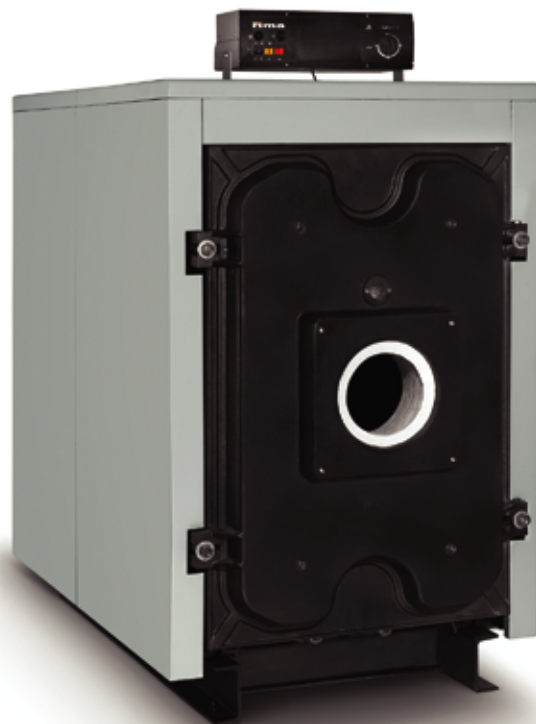
RS Series



ON Series



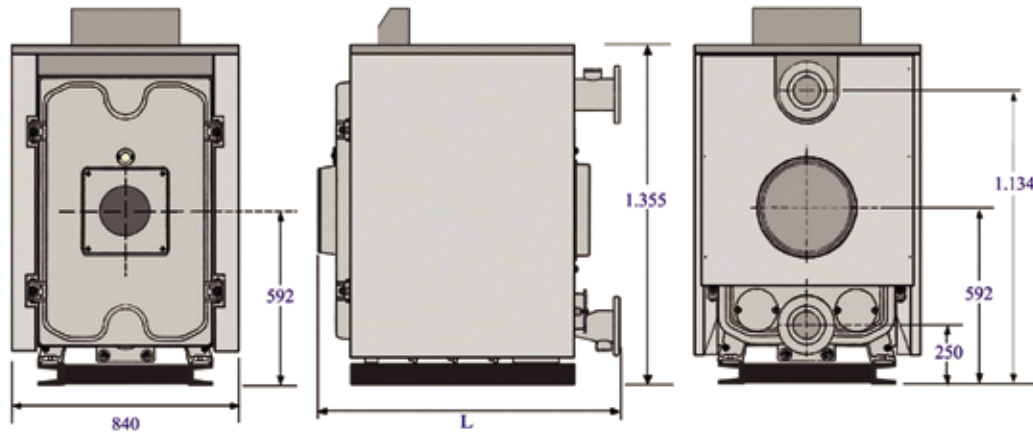
OM Series



- ✓ High efficiency with 3 pass design
- ✓ High heat transfer capacity with flame delayer turbulators
- ✓ Two side opening burner door (left and right)
- ✓ 80 mm glasswool insulation on the cast iron boiler body
- ✓ Optional with automatic smart control panel

Technical Data of OM Series Cast Iron Boilers :

| Series Name | | OM - 06 | OM - 07 | OM - 08 | OM - 09 | OM - 10 | OM - 11 | OM - 12 | OM - 13 | OM - 14 | OM - 15 | OM - 16 |
|--------------------------------------|------------------|--|-------------|-------------|-------------|-------------|-------------|-------------|-------------|-------------|-------------|-------------|
| Number Of Elements | Pcs. | 6 | 7 | 8 | 9 | 10 | 11 | 12 | 13 | 14 | 15 | 16 |
| Nominal Heat Output | kW | 378 | 448 | 506 | 564 | 610 | 663 | 715 | 773 | 831 | 878 | 930 |
| | kCal/h | 325.000 | 385.000 | 435.000 | 485.000 | 525.000 | 570.000 | 615.000 | 665.000 | 715.000 | 755.000 | 800.000 |
| Nominal Heat Input | kW | 410 | 487 | 551 | 615 | 665 | 720 | 777 | 839 | 900 | 956 | 1013 |
| Maximum Operating Temperature | °C | 90 | | | | | | | | | | |
| Range Of Temperature Control | °C | 30-90 | | | | | | | | | | |
| Gas Side Resistance | mbar | 1,75 - 2,20 | 1,90 - 2,40 | 2,25 - 2,75 | 2,55 - 3,10 | 2,80 - 3,35 | 3,15 - 3,70 | 3,45 - 4,05 | 3,80 - 4,35 | 4,10 - 4,75 | 4,45 - 4,95 | 4,85 - 5,50 |
| Maximum Operating Pressure | bar | 6 | | | | | | | | | | |
| Boiler Water Content | L | 149,5 | 174 | 198,5 | 223 | 247,5 | 272 | 296,5 | 321 | 345,5 | 370 | 394,5 |
| | m ³ | 0,150 | 0,174 | 0,199 | 0,223 | 0,248 | 0,272 | 0,297 | 0,321 | 0,346 | 0,370 | 0,395 |
| Exit Flue Connection Diameter | mm | 350 | | | | | | | | | | |
| Combustion Chamber Dimensions [Φ] | mm | 501 | | | | | | | | | | |
| | [L] | 910 | 1.070 | 1.230 | 1.390 | 1.550 | 1.710 | 1.870 | 2.030 | 2.190 | 2.350 | 2.510 |
| Water Inlet- Outlet Connection | (") | G 4 | | | | | | | | | | |
| Gas Volume of the Boiler | L | 341,74 | 400,71 | 459,68 | 518,65 | 577,62 | 636,59 | 695,56 | 754,53 | 813,5 | 872,47 | 931,44 |
| | m ³ | 0,342 | 0,401 | 0,460 | 0,519 | 0,578 | 0,637 | 0,696 | 0,755 | 0,814 | 0,872 | 0,931 |
| Gas Volume of the Combustion Chamber | L | 179,39 | 210,93 | 242,48 | 274,02 | 305,56 | 337,1 | 368,64 | 400,18 | 431,73 | 463,27 | 494,81 |
| | m ³ | 0,179 | 0,211 | 0,242 | 0,274 | 0,306 | 0,337 | 0,369 | 0,400 | 0,432 | 0,463 | 0,495 |
| Safety Temperature Limit | °C | 100 | | | | | | | | | | |
| Fuel Type | N Gas | L ₂ H | | | | | | | | | | |
| | Liquid F. | Extra Light Heat Oil | | | | | | | | | | |
| Country of Destination | | AT, CZ, DK, EE, ES, FI, GB, GR, IE, IT, LT, LV, PT, SE, SI, SK, TR | | | | | | | | | | |
| Flue Gas Temperature [Full Load] | °C | 182 - 187 | 178 - 185 | 175 - 180 | 173 - 178 | 173 - 176 | 170 - 175 | 170 - 174 | 168 - 172 | 165 - 168 | 162 - 165 | 160 - 163 |
| | [Partial Load] | °C | 165 - 172 | 164 - 170 | 162 - 168 | 161 - 165 | 160 - 165 | 158 - 163 | 156 - 161 | 155 - 160 | 153 - 150 | 150 - 148 |
| Flue Gas Mass Flow [Full Load] | kg/h | 633 | 750 | 848 | 945 | 1.023 | 1.110 | 1.198 | 1.295 | 1.393 | 1.470 | 1.588 |
| | [Partial Load] | kg/h | 380 | 450 | 508 | 567 | 614 | 666 | 719 | 777 | 836 | 882 |
| Boiler Dimensions [Width x Height] | mm | 840 x 1355 | | | | | | | | | | |
| | [Length] | mm | 1.300 | 1.460 | 1.620 | 1.780 | 1.940 | 2.100 | 2.260 | 2.420 | 2.580 | 2.740 |
| Standby Loss | % | 0,33 | 0,31 | 0,28 | 0,27 | 0,24 | 0,22 | 0,20 | 0,18 | 0,17 | 0,16 | 0,14 |
| | kCal/h | 11.583 | 12.890 | 13.154 | 14.143 | 13.608 | 13.543 | 13.284 | 12.928 | 13.127 | 13.046 | 12.096 |
| Burner Hole Diameter | mm | 225 | | | | | | | | | | |
| Burner Type | | Short Barrel | | | | | | | | | | |
| Chimney Effect | Pa | 5 | | | | | | | | | | |
| Boiler Net Weight | kg | 1020 | 1160 | 1300 | 1440 | 1580 | 1720 | 1860 | 2000 | 2140 | 2280 | 2420 |



Rima Heating Systems, cast iron industry in Turkey with over 50 years of experience in the Foundry Industry Önmetal is a commercial organization and a registered trademark. In our product range; Floor and Wall Standing Condensing boilers with heat exchangers produced by our own patent and atmospheric boilers, solid fuel boilers, The head office is located in İstanbul Organized Industrial Zone and the main factory is located in Edirne. It has a high production capacity in its modern production facilities in a closed area of 10.000 m² with a continuous investment in new machinery and automation.

rima

Rima Isı Sistemleri San. A.Ş.
 İkitelli OSB Mah. 25. Cad. No:10
 Başakşehir 34306 İstanbul
 Tel : (0212) 485 48 74
www.rima.com.tr
www.onmetal.com.tr

Önmetal