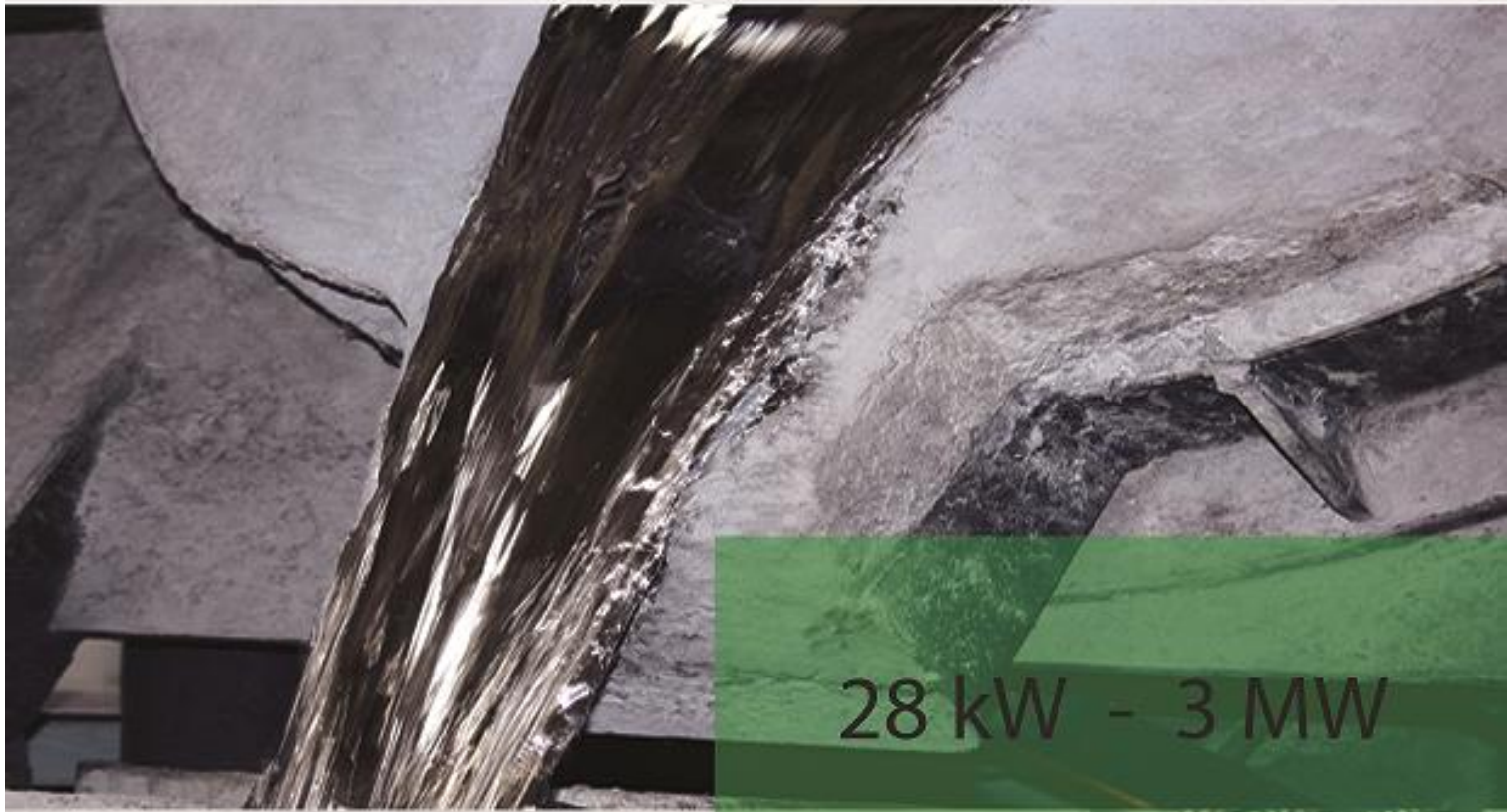


Aluminium Condensing heat exchangers



28 kW - 3 MW

- High quality materials
- High corrosion resistance
- Extending lifetime
- Increasing efficiency
- With low NOx and CO emission
- Excellent thermal conductivity
- High modulation rate

Monobloc and sectional aluminum heat exchangers are produced by a sand-casting process.

Our products are designed at our R&D department, are tested at our laboratories at all the production stages and then are brought into use.



High efficiency

ONGAS Compact series

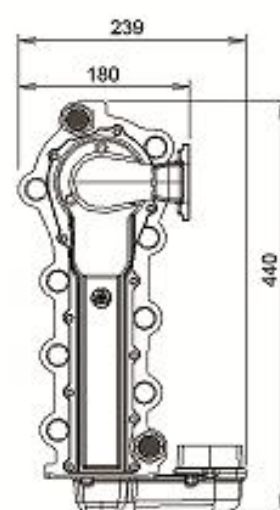
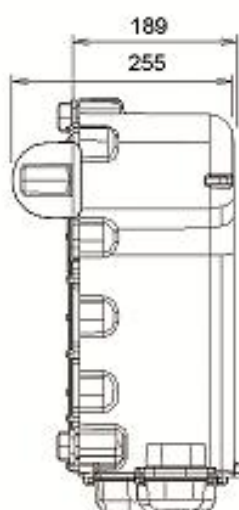
Heat exchanger for domestic applications

Compact housing and high quality aluminium heat exchanger

- Monobloc casting
- Very efficient
- High modulation range
- Low pneumatic resistance
- Low NOx



| | ONGAS COMPACT |
|-------------------------------|------------------|
| Nominal input max. Load (kW) | 28 |
| Efficiency 30% load 50/30 (%) | 109 |
| Operating pressure (bar) | 0,8 - 3 |
| Flue connection Ø (mm) | 60 |
| Flow / return connection | Rp 3/4" |
| Weight (kg) | 9,5 |



ONGAS 300 series

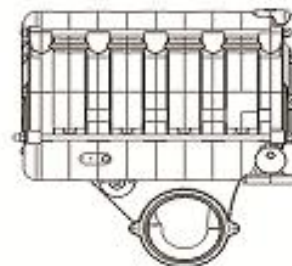
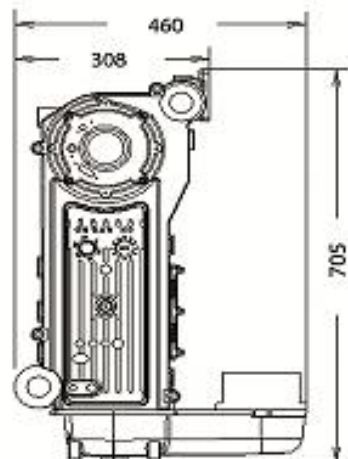
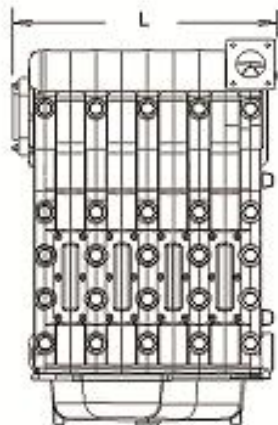
Small commercial heat exchanger

Ongas 300 series available in capacities of 69 kW up to 187 kW

- High quality aluminium heat exchanger
- Very efficient
- High modulation range
- Low pneumatic resistance
- Low NOx



| | ONGAS 303 | ONGAS 304 | ONGAS 304P | ONGAS 305 | ONGAS 306 | ONGAS 307 |
|-------------------------------|-----------|-----------|------------|-----------|-----------|-----------|
| Nominal input max. Load (kW) | 69 | 100 | 115 | 125 | 154 | 187 |
| Modulation Level | 15 | | | | | |
| Efficiency 30% load 50/90 (%) | 108 | | | | | |
| Operating pressure (bar) | 0,8 - 6 | | | | | |
| Flue connection Ø (mm) | 80 | 100 | 100 | 115 | 127 | 150 |



ONGAS 600 series

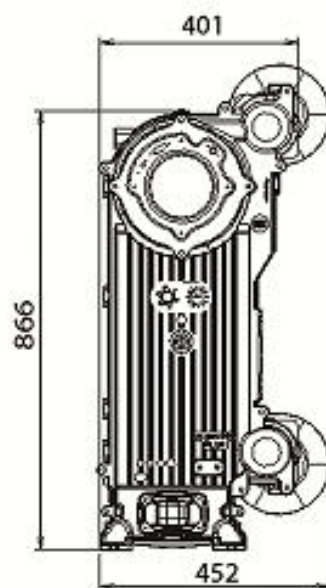
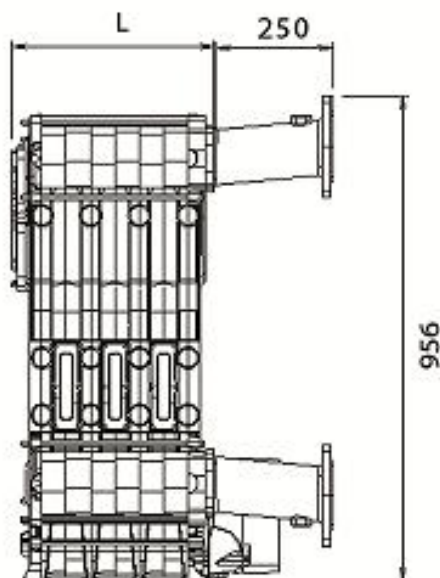
Commercial heat exchanger

Ongas 600 series available in capacities of 260 kW up to 700 kW

High quality materials and high corrosion resistance



| | ONGAS 604P | ONGAS 605P | ONGAS 606P | ONGAS 607P | ONGAS 608P | ONGAS 609P | ONGAS 610P | ONGAS 611P |
|-------------------------------|---------------|---------------|---------------|---------------|---------------|---------------|---------------|---------------|
| Nominal input max. Load (kW) | 260 | 320 | 400 | 460 | 520 | 580 | 640 | 700 |
| Modulation Level | 1:7 | | | | | | | |
| Efficiency 30% load 50/90 (%) | 107 | | | | | | | |
| Operating pressure (bar) | 0,8 - 6 | | | | | | | |
| Flue connection Ø (mm) | 160 | 160 | 200 | 200 | 200 | 200 | 200 | 200 |



ONGAS 600 series

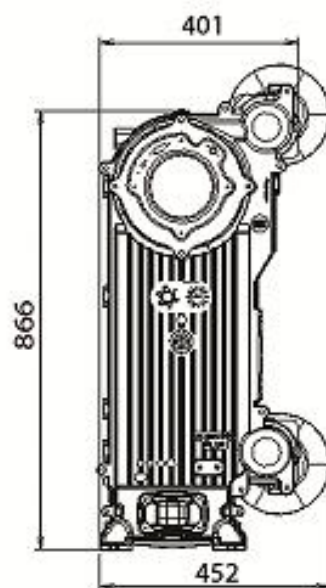
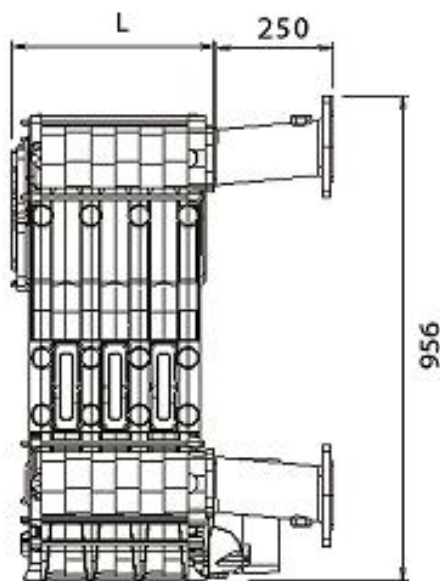
Commercial heat exchanger

Ongas 600 series available in capacities of 260 kW up to 700 kW

High quality materials and high corrosion resistance



| | ONGAS 604P | ONGAS 605P | ONGAS 606P | ONGAS 607P | ONGAS 608P | ONGAS 609P | ONGAS 610P | ONGAS 611P |
|-------------------------------|---------------|---------------|---------------|---------------|---------------|---------------|---------------|---------------|
| Nominal input max. Load (kW) | 260 | 320 | 400 | 460 | 520 | 580 | 640 | 700 |
| Modulation Level | 1:7 | | | | | | | |
| Efficiency 30% load 50/90 (%) | 107 | | | | | | | |
| Operating pressure (bar) | 0,8 - 6 | | | | | | | |
| Flue connection Ø (mm) | 160 | 160 | 200 | 200 | 200 | 200 | 200 | 200 |



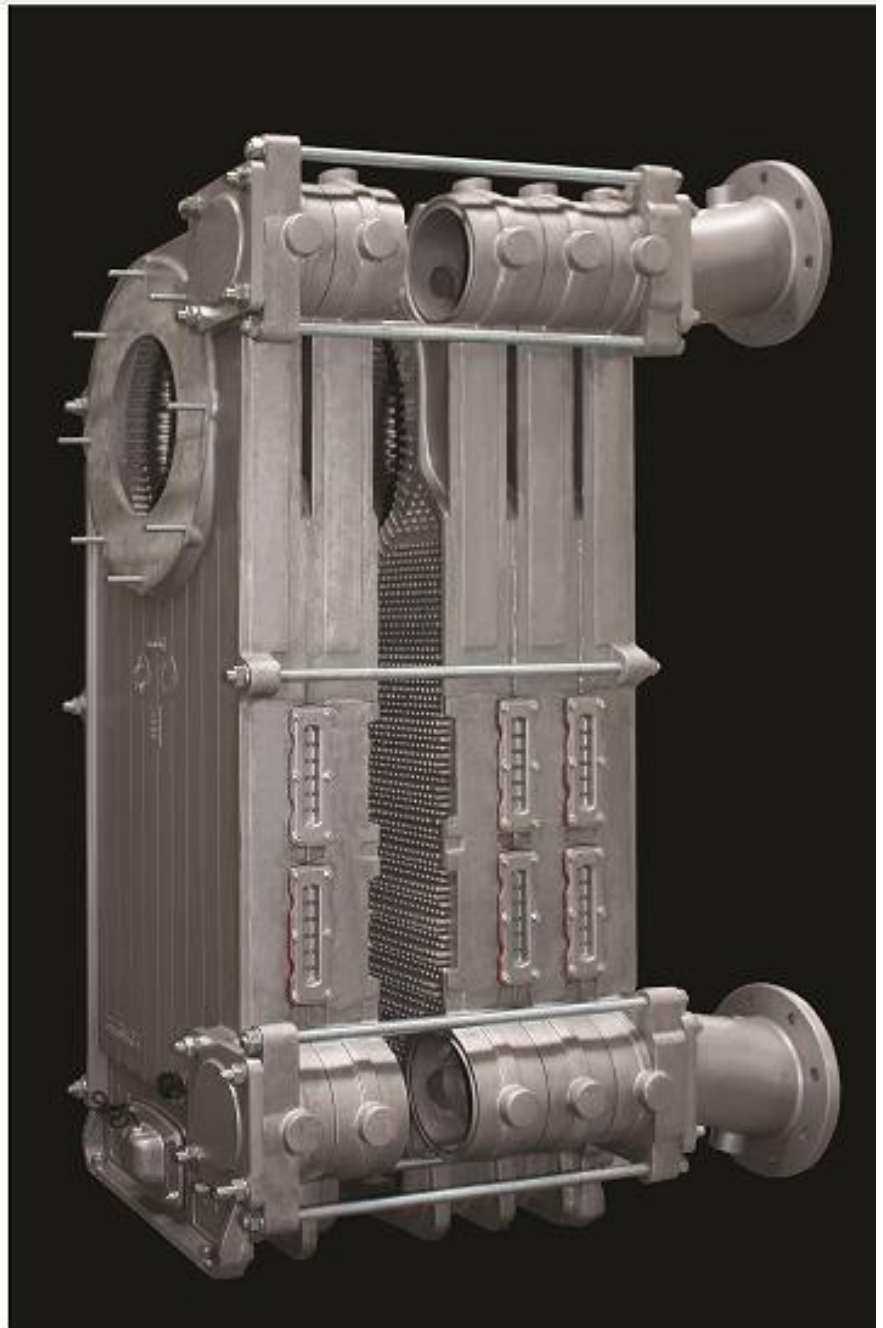
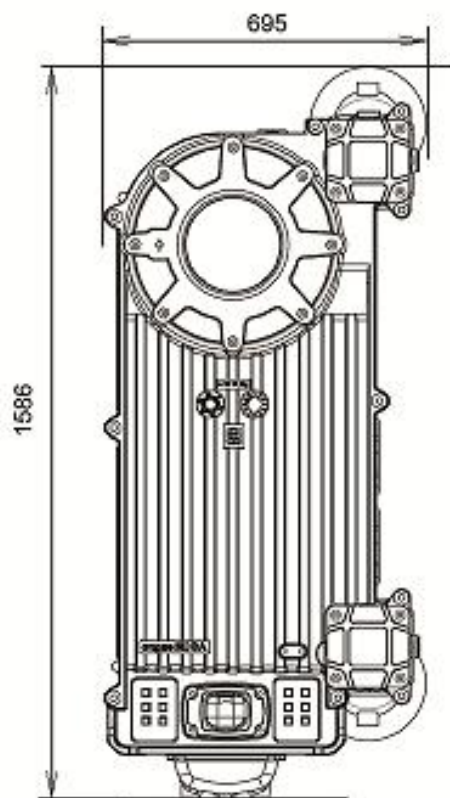
ONGAS MEGA series

Large commercial condensing heat exchanger

Ongas MEGA series heat exchanger specially designed for big commercial applications.

Ongas MEGA series available in capacities of 800 kW up to 3 MW

High quality materials and high corrosion resistance



| | MEGA 5 | MEGA 6 | MEGA 7 | MEGA 8 | MEGA 10 | MEGA 12 | MEGA 14 | MEGA 16 |
|-------------------------------|---------|--------|--------|--------|---------|---------|---------|---------|
| Nominal input max. Load (kW) | 800 | 1.000 | 1.200 | 1.400 | 1.800 | 2.200 | 2.600 | 3.000 |
| Modulation Level | 1:7 | | | | | | | |
| Efficiency 30% load 50/30 (%) | 107 | | | | | | | |
| Operating pressure (bar) | 0,8 - 6 | | | | | | | |
| Flue connection Ø (mm) | 200 | 200 | 250 | 250 | 315 | 315 | 315 | 315 |



Önmetal 

Address: İkitelli OSB mah. 25 Cad. No:10/A Başakşehir / İstanbul

info@rima.com.tr

Phone: +90 212 485 48 74 pbx

